



NUMBER: 23-046-06

GROUP: Body

DATE: October 21, 2006

This bulletin is supplied as technical information only and is not an authorization for repair. No part of this publication may be reproduced, stored in a retrieval system, or transmitted, in any form or by any means, electronic, mechanical, photocopying, or otherwise, without written permission of DaimlerChrysler Corporation.

THIS BULLETIN IS BEING PROVIDED IN ADVANCE. DO NOT ORDER PARTS OR PERFORM ANY ACTIONS RELATED TO THIS BULLETIN UNTIL NOVEMBER 3, 2006.

SUBJECT:

Soft Top Slaps Against Speaker Bar

OVERVIEW:

This bulletin involves installing foam padding to the top of the speaker bar.

MODELS:

2007 (JK) Wrangler/Wrangler Unlimited

SYMPTOM/CONDITION:

A loud noise may be heard caused by the soft top slapping against speaker bar while driving at highway speeds.

DIAGNOSIS:

If the vehicle operator describes the Symptom/Condition, perform the Repair Procedure.

PARTS REQUIRED:

Qty.	Part No.	Description
1	68021165AA	Kit, Speaker Bar Foam
AR	NPN	Isopropyl Alcohol

REPAIR PROCEDURE:

1. Lower the soft top to expose the top surface of the speaker bar, on Unlimited model using the Sun Rider feature is adequate. Refer to the Owner Manual for specific instructions if unfamiliar with the procedure.
2. Wipe the areas where the foam will be attached with isopropyl alcohol, ([Fig. 1](#)).

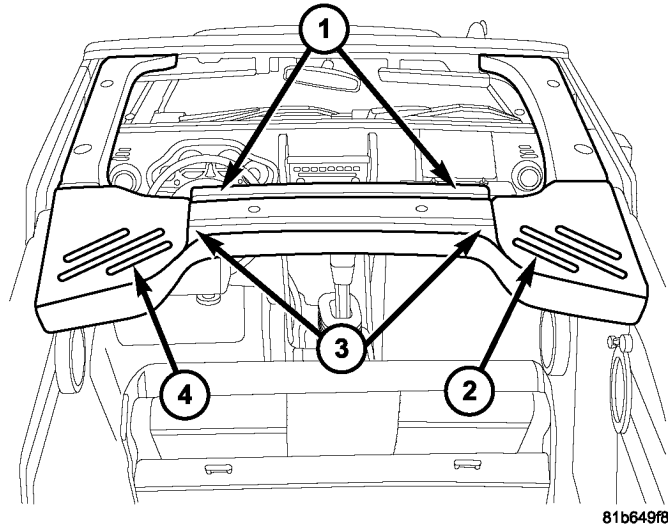


Fig. 1 FOAM INSTALLATION LOCATIONS (RIGHT SIDE SHOWN)

- 1 - FRONT
- 2 - RIGHT REAR
- 3 - REAR MIDDLE

-
- 3. Install the 4 foam pieces from kit, p/n 68021165AA, (Fig. 1)
 - 4. Return the soft top to the closed position. Refer to the Owner Manual for specific instructions if unfamiliar with the procedure.

POLICY:
Reimbursable within the provisions of the warranty.

TIME ALLOWANCE:

Labor Operation No:	Description	Amount
23-05-01-91	Install Foam Pads to Sound Bar	0.5 Hrs.

FAILURE CODE:

ZZ	Service Action
----	----------------