



NUMBER: 23-037-07

GROUP: Body

DATE: August 23, 2007

This bulletin is supplied as technical information only and is not an authorization for repair. No part of this publication may be reproduced, stored in a retrieval system, or transmitted, in any form or by any means, electronic, mechanical, photocopying, or otherwise, without written permission of DaimlerChrysler Corporation.

SUBJECT:

Rear Lower Corner Of Soft Top May Not Stay Tucked To Rail Retainer On Body

OVERVIEW:

This bulletin involves the replacement of the two rear tailgate retainer (bar) brackets.

MODELS:

2007 (JK) Wrangler

SYMPTOM/CONDITION:

The customer may notice that the left or right rear lower corner of the soft top may not stay tucked to the body. Closer inspection may reveal that the plastic bracket, used to secure the rear tailgate retainer (bar) in place, may not stay attached to the rail retainer on the body.

DIAGNOSIS:

If the above condition is present perform the Repair Procedure.

PARTS REQUIRED:

| Qty. | Part No. | Description |
|------|------------|--|
| 1 | 68041620AA | Bracket, Rear Tailgate Retainer (Right Side) |
| 1 | 68041621AA | Bracket, Rear Tailgate Retainer (Left Side) |

REPAIR PROCEDURE:

1. Open the rear tailgate.
2. Separate the bottom edge of the rear soft top from the rear tailgate retainer brackets (both sides) .
3. Unzip each side of the rear window zipper by about 254 mm (10 inches).
4. Separate the bottom edge of the rear window from the rear tailgate retainer.
5. Remove the rear tailgate retainer (bar) from the vehicle.
6. Remove both (left and right side) rear tailgate retainer brackets.
7. Install new left and right rear tailgate retainer brackets.
8. Install the rear tailgate retainer (bar) to the vehicle.
9. Install the bottom edge of the rear window to the rear tailgate retainer.
10. Zip up (close) both sides of the rear window zipper.
11. Install the bottom edge of the rear soft top to the rear tailgate retainer brackets and body.
12. Close the tailgate.



Stick with the Specialists™

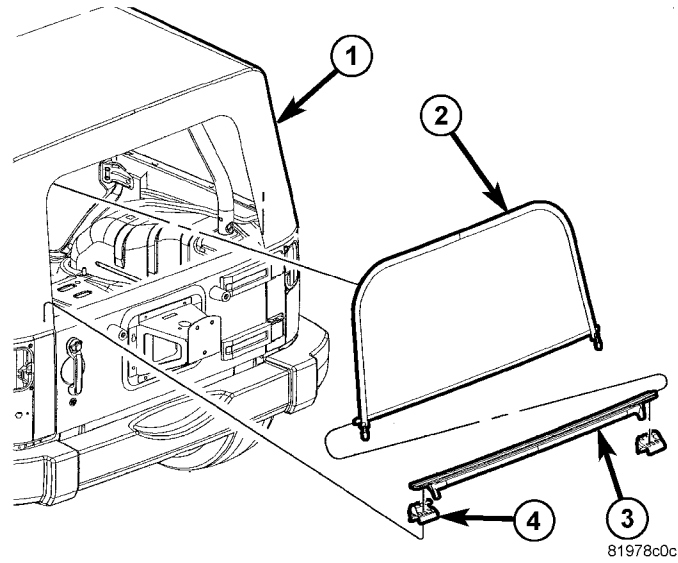


Fig. 1 REAR TAILGATE RETAINER BRACKET

- 1 - Soft Top - Rear Corner (Sail Panel)
- 2 - Rear Window
- 3 - Rear Tailgate Retainer (Bar)
- 4 - Rear Tailgate Retainer Bracket

POLICY:

Reimbursable within the provisions of the warranty.

TIME ALLOWANCE:

| Labor Operation No: | Description | Amount |
|---------------------|--|----------|
| 23-30-38-90 | Brackets, Rear Tailgate Retainer - Replace Both (B) | 0.2 Hrs. |

FAILURE CODE:

| | |
|----|----------------|
| ZZ | Service Action |
|----|----------------|