



NUMBER: 23-003-08

GROUP: Body

DATE: January 15, 2008

This bulletin is supplied as technical information only and is not an authorization for repair. No part of this publication may be reproduced, stored in a retrieval system, or transmitted, in any form or by any means, electronic, mechanical, photocopying, or otherwise, without written permission of Chrysler LLC.

THIS BULLETIN IS BEING PROVIDED IN ADVANCE. DO NOT ORDER PARTS OR PERFORM ANY ACTIONS RELATED TO THIS BULLETIN UNTIL JANUARY 21, 2008.

SUBJECT:

Wind-Like Sound At Outer Ends Of The Sunrider Soft Top Windshield Header

OVERVIEW:

This bulletin involves replacement of the left and right soft top front side bows.

MODELS:

2007 - 2008 (JK) Wrangler

NOTE: This bulletin applies to two door Wrangler vehicles equipped with a Sunrider soft top (sales code GWK) and built on or between March 01, 2007 (MDH 0301XX) and September 30, 2007 (MDH 0930XX).

SYMPTOM/CONDITION:

The customer may experience a wind-like sound at the outboard top corners of the windshield. The condition may be present on vehicles equipped with a Sunrider soft top. The condition may be due to the Sunrider soft top header being over-flush at the outboard corners to the windshield framer.

NOTE: This condition only applies to two door Wranglers equipped with a Sunrider soft top. The condition does not apply to two door vehicles equipped with a standard soft top.

DIAGNOSIS:

If the above condition is present perform the Repair Procedure.

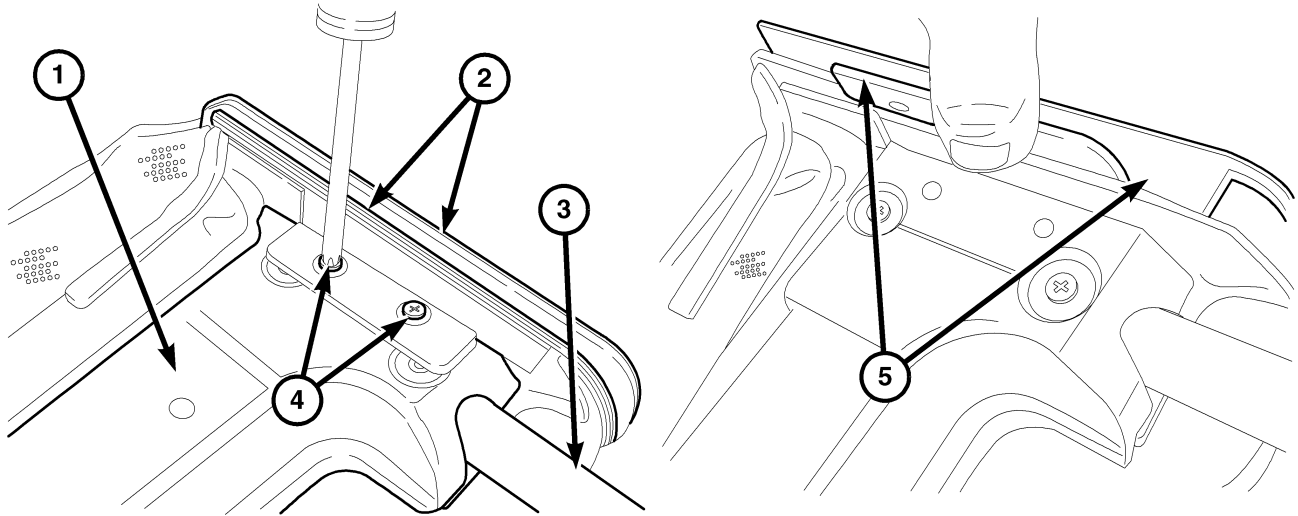
PARTS REQUIRED:

Qty.	Part No.	Description
1	68043866AA	Kit, Header-to-Knuckle Front Side Bow (includes Left and Right Side Bows)

REPAIR PROCEDURE:

1. Unlatch both front soft top header latches at the top of the windshield.
2. Detach the soft top drip rail retainer above both doors from the vehicle .

3. Slide the side bow sleeve forward, on both sides, so that the front section of the Sunrider soft top can be folded open.
4. Open (fold back) the front section of the Sunrider soft top.
5. On the left side, remove the two (2) screws from the retainer that are used to secure the soft top fabric to the soft top header panel ([Fig. 1](#)).
6. Roll the retainer off of the header panel.

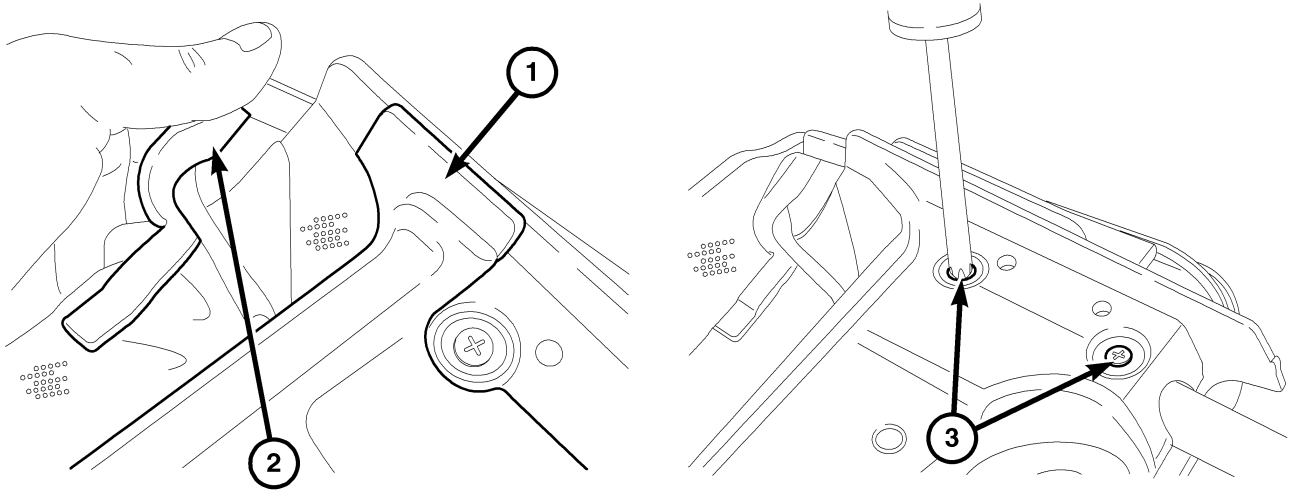


81f5790d

Fig. 1 FABRIC RETAINER SCREW

- 1 - Soft Top Header Panel
 - 2 - Soft Top Fabric Retainer
 - 3 - Soft Top Front Side Bow
 - 4 - Soft Top Fabric Retainer Screws
 - 5 - Roll Fabric Retainer Off Side Of Header Panel
-

7. Slide the soft top fabric off of the header panel (Fig. 2).
8. Remove the two (2) screws used to secure the inboard side of the soft top header panel to the front side bow.

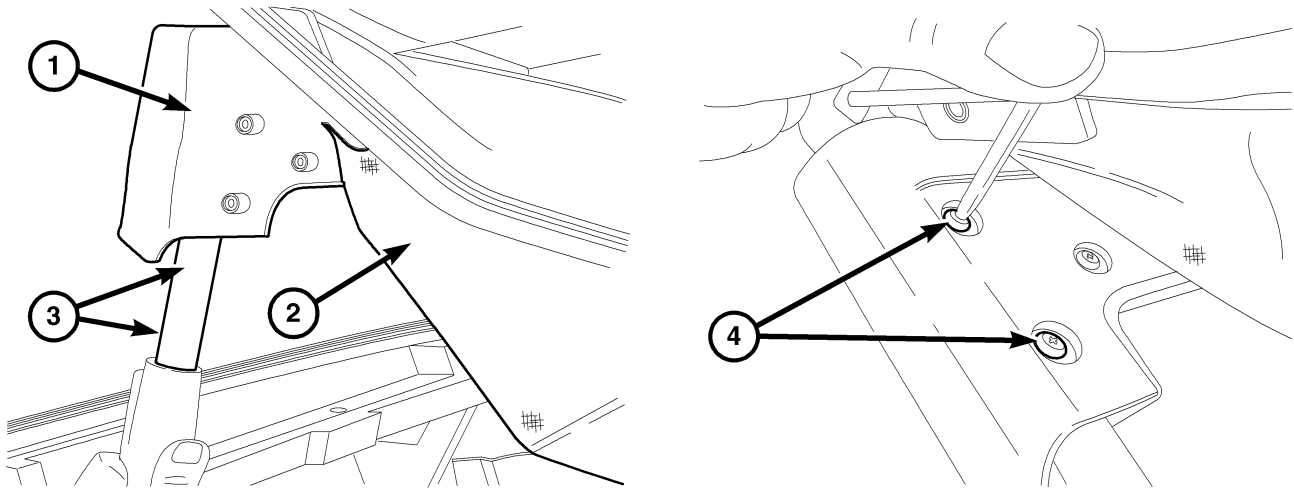


81f5790e

Fig. 2 SLIDE FABRIC OFF HEADER

- 1 - Soft Top Header Panel
 - 2 - Soft Top Fabric
 - 3 - Soft Top Header Panel To Front Side Bow Attaching Screws
-

9. Rotate the soft top up so that there is access to the soft top outboard screws on the header screws.
10. Remove the two (2) screws used to secure the outboard side of the soft top header panel to the front side bow (Fig. 3).
11. Open (fold back) the front section of the soft top.

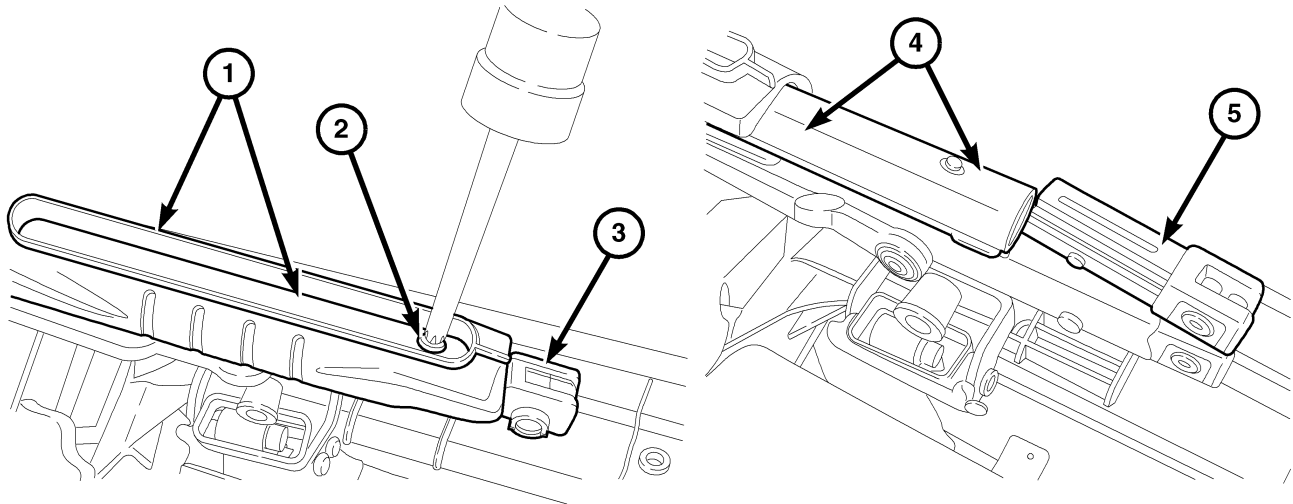


81f5790f

Fig. 3 ROTATE SIDE BOW FOR ACCESS

- 1 - Soft Top Header Panel
 - 2 - Soft Top Fabric
 - 3 - Front Side Bow
 - 4 - Header Panel To Front Side Bow Outboard Attaching Screws
-

12. Remove the screw used to attach the front side bow to the side bow knuckle (Fig. 4).
13. Replace the front side bow that is between the header and knuckle.
14. With the new replacement front side bow in place on the knuckle and header panel, install the front side bow to knuckle attaching screw.
15. Install the two screws used to secure the new front side bow to the header panel.
16. Install the four (4) screws used to secure the new front side bow to the inboard and outboard sides of the soft top header panel.

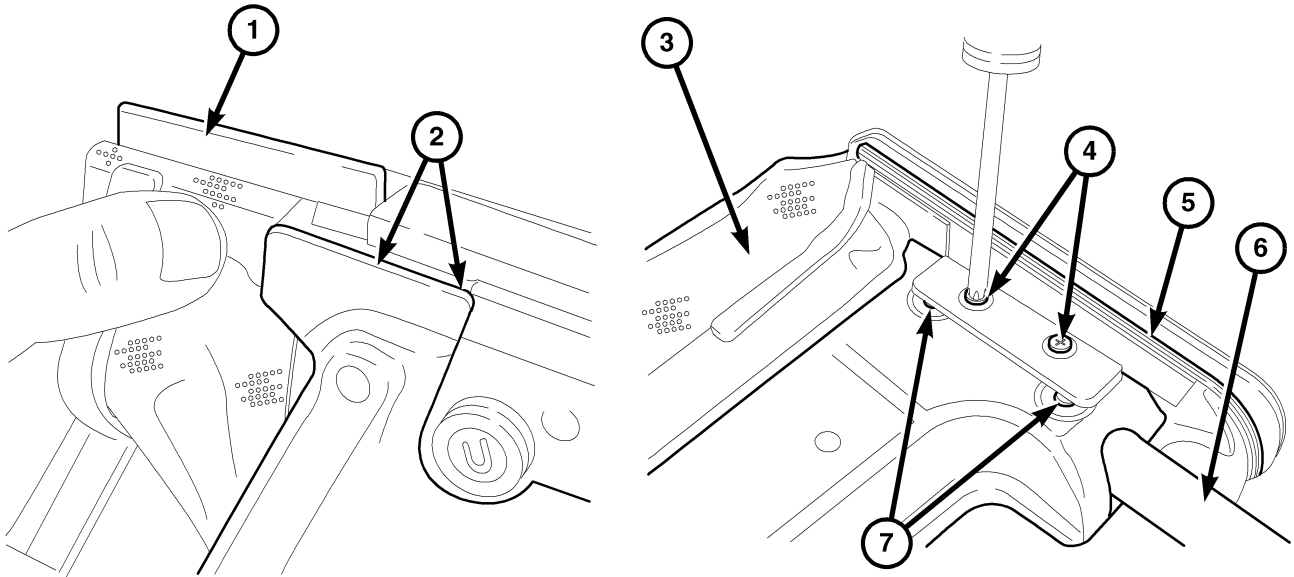


81f57910

Fig. 4 REMOVE SIDE BOW FROM KNUCKLE

- 1 - Soft Top Front Side Bow Sleeve
- 2 - Front Side Bow To Knuckle Attaching Screw
- 3 - Side Bow Knuckle
- 4 - Front Side Bow - Removed From Knuckle
- 5 - Side Bow Knuckle With Front Side Bow Removed

-
17. Using a small blade screwdriver, slightly open the joint slot in the header panel where the soft top fabric will slide into (Fig. 5).
 18. Slide the soft top fabric through the joint slot.
 19. Roll the fabric retainer onto the header panel, and install the two (2) soft top fabric retainer screws to the soft top header panel.
 20. Repeat the above procedure on new front side bow on the other side of the vehicle soft top.



81f57911

Fig. 5 SLIDE FABRIC ONTO HEADER

- 1 - Soft Top Fabric
- 2 - Header Panel Joint - Slightly Spread Joint Slot Open Using A Small Blade Screwdriver - Slide Fabric Into Joint
- 3 - Soft Top Fabric - Installed To Header Panel
- 4 - Soft Top Fabric Retainer Attaching Screws
- 5 - Soft Top Fabric Retainer - Installed To Header Panel
- 6 - Soft Top Front Side Bow
- 7 - Soft Top Header Panel To Front Side Bow Attaching Screws

- 21. Close the front soft top section.
- 22. Slide the left and right front side bow sleeves rearward to lock the side bow knuckles in place.
- 23. Latch the soft top latches to the windshield header.
- 24. Install the left and right side drip rail retainers.

POLICY:

Reimbursable within the provisions of the warranty.

TIME ALLOWANCE:

Labor Operation No:	Description	Amount
23-44-10-90	Sunrider Soft Top - Front Side Bows - Replace - Both Sides (B)	0.5 Hrs.

FAILURE CODE:

ZZ	Service Action
----	----------------